



Alouette Ware Wash Chemicals Inc.

Cost Effective Cleaning Solutions for Restaurants & Bars

Model 5AG-S by

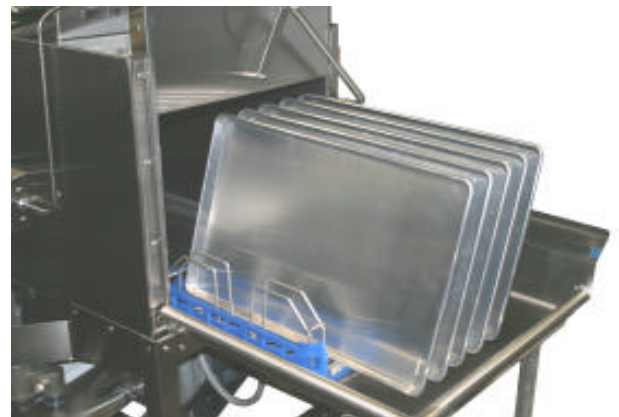
HIGH CAPACITY



Model 5AG-S
GREATER
DOOR CLEARANCE...
WASHES TALLER WARES

Double Duty Model designed to multiply your dishwashing capability. Features 20 1/2" door opening, air-gap fill, dual screening. Washes 74 racks per hour with two powerful 1 1/2 HP Pumps.

Wash Sheet Pans Horizontally with the optional Pan Rack





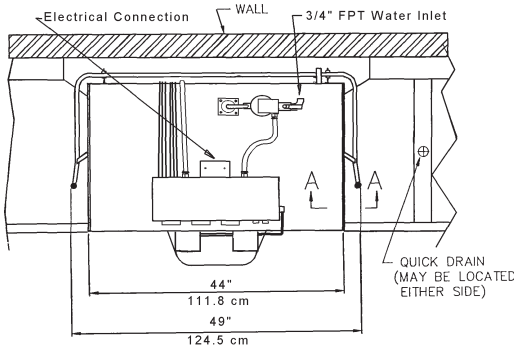
Alouette Ware Wash Chemicals Inc.

Cost Effective Cleaning Solutions for Restaurants & Bars

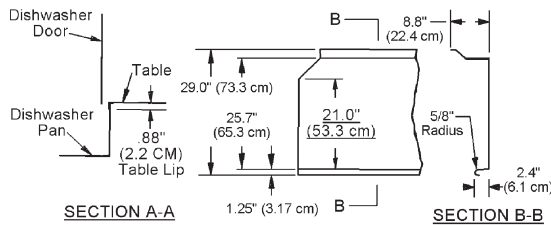
Model 5AG-S

**TAKES CARE OF BIG JOBS
IN NO TIME FLAT**

- Cleans 74 racks per hour
- Water consumption is 1.6 gallons per rack
- Great Door Clearance at 20 1/2"
- Top Mount Controls with Auto Start
- Stainless Steel air gap
- Quick release spray arms
- Two Quick service 1 1/2 HP pumps
- Door safety switch - external prime switches
- Delime Switch located in the control panel



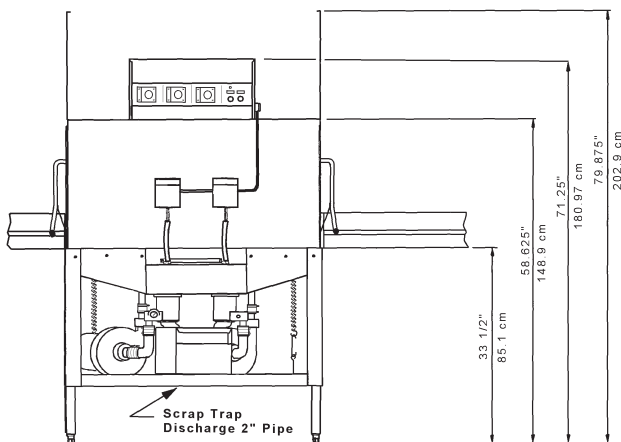
TOP VIEW



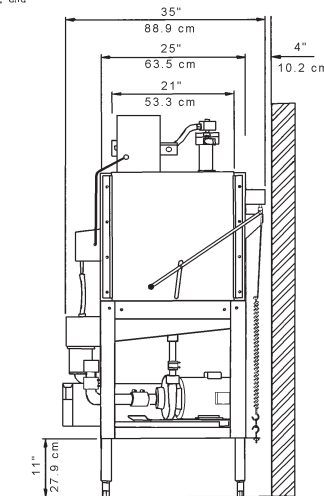
TOP VIEW
TYPICAL TABLE DETAILS



Model 5AG-S Specifications



FRONT VIEW



SIDE VIEW

CAUTION:
Electrical and plumbing connections should be made by a qualified Service Person who will comply with all available federal, state, and local Health, Electrical, Plumbing, and Safety codes.

	5AGS	5S	5AHS
RATED CAPACITY (Racks Per Hour)	74	56	46
WASH TIME (Sec.)	45	60	75
RINSE TIME (Sec.)	30	46	60
DWELL (Sec.)	15	15	15
TOTAL CYCLE TIME (Sec.)	90	120	150
WASH TANK CAPACITY (Min.)	3.2 Gallons 12.1 Liters		
WATER TEMPERATURE	120 Deg. F Min. 49 Deg. C Min.		
WATER CONSUMPTION	3.2 Gallons Per Cycle 12.1 Liters Per Cycle		
MOTOR (2)	1.5 HP 1.125 KW		
ELECTRICAL RATINGS	115 Volts Single Phase 26 Amps		
Connect to two Supply Sources Using 12-10 AWG Copper Wire. Circuit Protection: 20 Amp Circuit Breaker or Fuse with a 20 Amp Rating. OR			
Connect to Single Supply Source Using 8-6 AWG Copper Wire suitable for at least 75 Deg. C (197 Deg. F). Circuit Protection: 40 Amp Circuit Breaker or Fuse with a 40 Amp Rating.			
RACK SIZE (2)	19 3/4" x 19 3/4" 50.2 x 50.2 cm		
DOOR CLEARANCE	20 1/2" x 21" 52.07 x 53 cm		
WATER INLET	3/4" FPT		
DRAIN (Scrap Trap)	2" Pipe		
HEIGHT (Doors Open)	79.875"		
HEIGHT (Doors Closed)	71.25"		
WIDTH (Overall)	49"		
DEPTH (Overall)	124.5 cm		
SHIPPING WEIGHT	86.4 cm 408 lbs. 185 kg		
SHIPPING VOLUME (Uncrated)	64.16 cu ft. 1.82 cu m		

*Manufacturer reserves the right to modify these specifications in compliance with regulatory agencies and manufacturing expediency