



# Alouette Ware Wash Chemicals Inc.

Cost Effective Cleaning Solutions for Restaurants & Bars

## 175 GTM Single Rack by

# KNIGHT

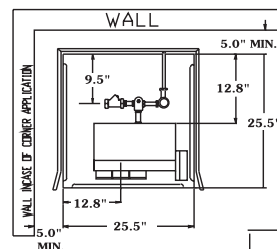
A unit of **IBEX** Corporation



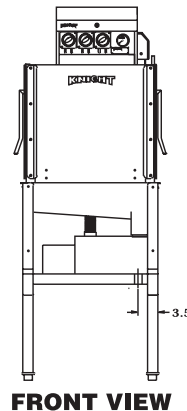
- Straight-Through or Corner Configuration
- Mechanical Timer Control w/90 Sec. Wash Cycle
- Fill and Dump Operation
- 37 Racks Per Hour
- Built-In Chemical Metering Pumps – Det., Sani., Rinse
- 1-Horse Power Pump Motor with Open Impeller
- Automatic Start/Stop
- 14 Gauge #304 Stainless Steel Pan Construction
- External Scrap Trap Accessible From Front or Side
- Top Mounted Temperature Gauge

### **KLE-175 GTM – P/N 9000175-M1**

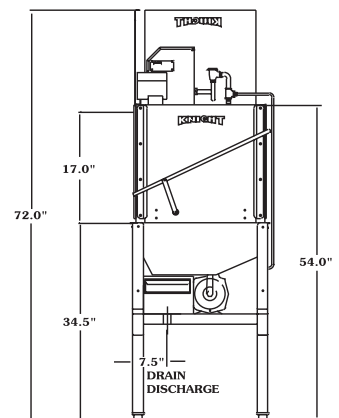
Operating Capacity:	37 Racks Per Hour
Operating Cycle:	90 Seconds
Wash Time:	45 Seconds
Rinse Time:	30 Seconds
Drain:	15
Wash Tank Capacity:	1.75 Gallons
Wash Pump Capacity:	58 Gal/Min.
Recommended Wash Temperature:	120° minimum
Water Inlet:	3/4"
Drain I.P.S.:	1-1/2"
Wash Pump Motor:	1 HP
Dimensions:	25.5"x25.5"x67"
Table Height:	34"
Max. Clearance For Dishes:	17"
Standard Dish Rack:	20"x20"
Shipping Weight:	200 lbs.
Electrical Rating:	115V
Load Amps:	14



**TOP VIEW**



**FRONT VIEW**



**SIDE VIEW**